

2BV SERIES LIQUID RING VACUUM PUMP



2BV2

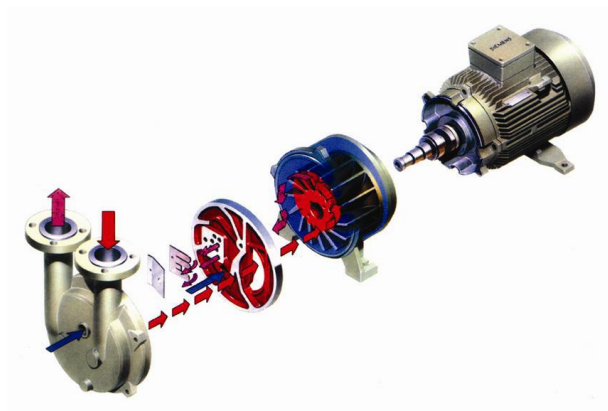


2BV6

2BV series water ring vacuum pumps are suitable for pumping the gases and steam. Its suction pressure can reach 33mbar (abs) (i.e. 97 % vacuum degree). If the transformer oil is used as the operating liquid, these pumps are called oil ring vacuum pump and the suction pressure can reach 6.7mbar (abs) (i.e. 99 % vacuum degree). So the oil ring vacuum pumps can replace the reciprocated vacuum pumps completely. When the liquid ring vacuum pumps work under the condition near the utmost vacuum for a long time, it is necessary to couple with the cavitation protection pipe in order to get rid of the screaming so as to protect the pump. When the 2BV pumps are used as compressor, it should check the discharge pressure and select suitable motor power because the motor power will be increasing along with the exhausting pressure.

Main Features:

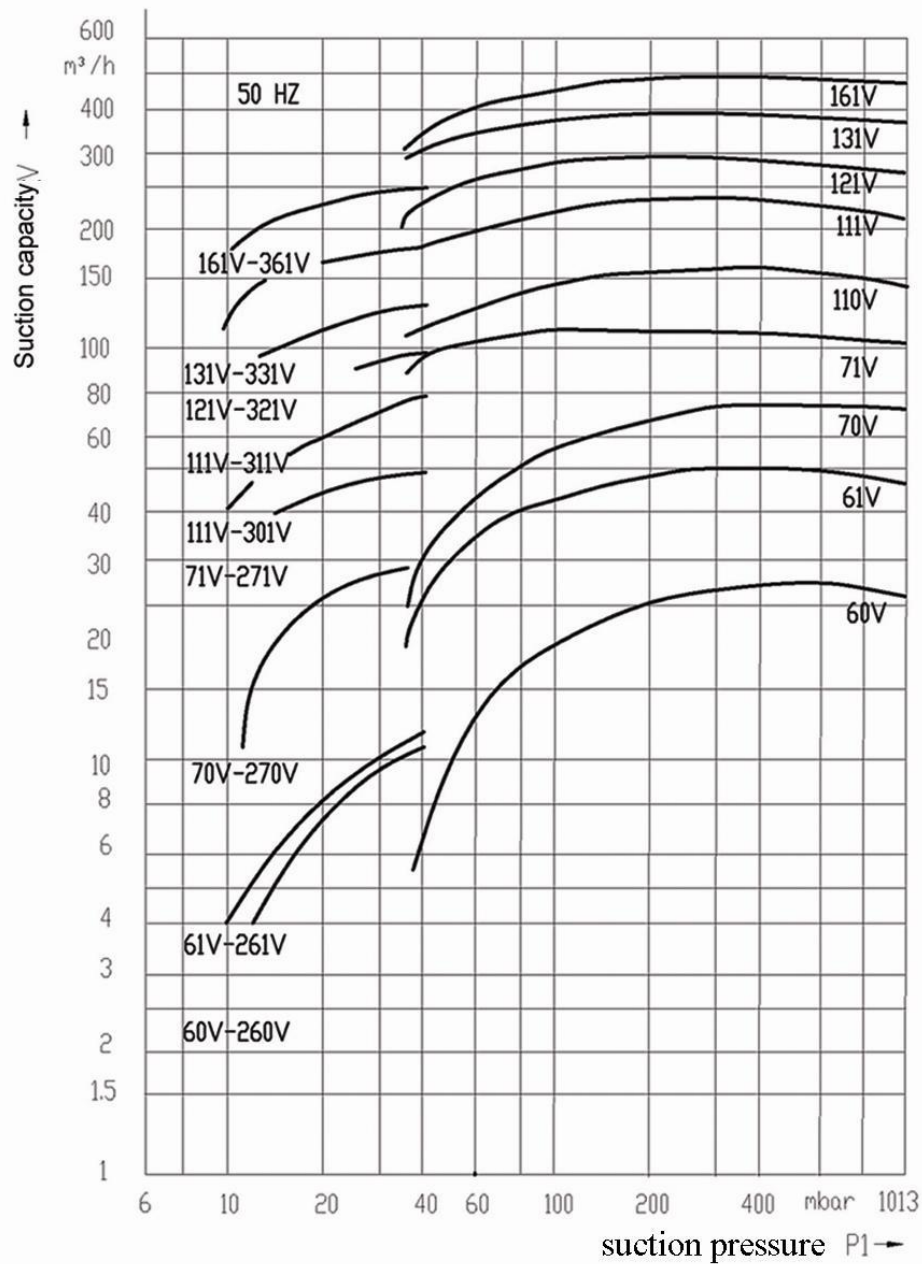
1. The direct connection of the motor and pump with the same shaft saves space and convenient installation
2. Adopting mechanical seal as standard configuration, which can eliminate leakage and make the maintenance convenient.
3. Operate steadily and the noise low to 62 dB
4. All the components are processed precisely by the CNC lathe, and the mechanical seal adopts international famous brand such as John Crane or Bergman to ensure the precision.
5. Take NTN or NSK international famous brand bearing.
6. 2BV series liquid ring pump can be combined with ZJ series Roots vacuum pump to make roots and liquid ring vacuum system. The ultimate vacuum can be 5pa. The 2BV liquid ring vacuum pump also can be coupled with separator and heat exchanger to make closed circulation unit, which improved the safety and reliability by one pump working, one pump backup.



2BV series water ring vacuum pump property parameters

Curve No.	Model	Max. suction capacity		Ultimate vacuum mbar(MPa)	Motor power kW	Speed r.p.m	Operating liquid flow rate L/min	Noise dB(A)	Weight kg
		m3/min	m3/h						
60V	2BV2-060	0.45	27	33mbar (-0.097MPa)	0.81	2840	2.5	62	37
61V	2BV2-061	0.86	52		1.45	2840	2.5	65	41
70V	2BV2-070	1.33	80		2.35	2860	3	66	66
71V	2BV2-071	1.83	110		3.85	2880	4.7	72	85
110V	2BV5-110	2.75	165		4	1440	7.2	63	120
111V	2BV5-111	3.83	230		5.5	1440	8.8	68	150
121V	2BV5-121	4.66	280		7.5	1440	11	69	210
131V	2BV5-131	6.66	400		11	1460	16	73	280
161V	2BV5-161	8.33	500		15	970	22	74	390
110V	2BV6-110	2.75	165		4	1440	6.7	63	150
111V	2BV6-111	3.83	230		5.5	1440	10	68	200
121V	2BV6-121	4.66	280		7.5	1440	12	69	230
131V	2BV6-131	6.66	400		11	1460	17	73	315
161V	2BV6-161	8.33	500		15	970	23	74	426

Performance curves

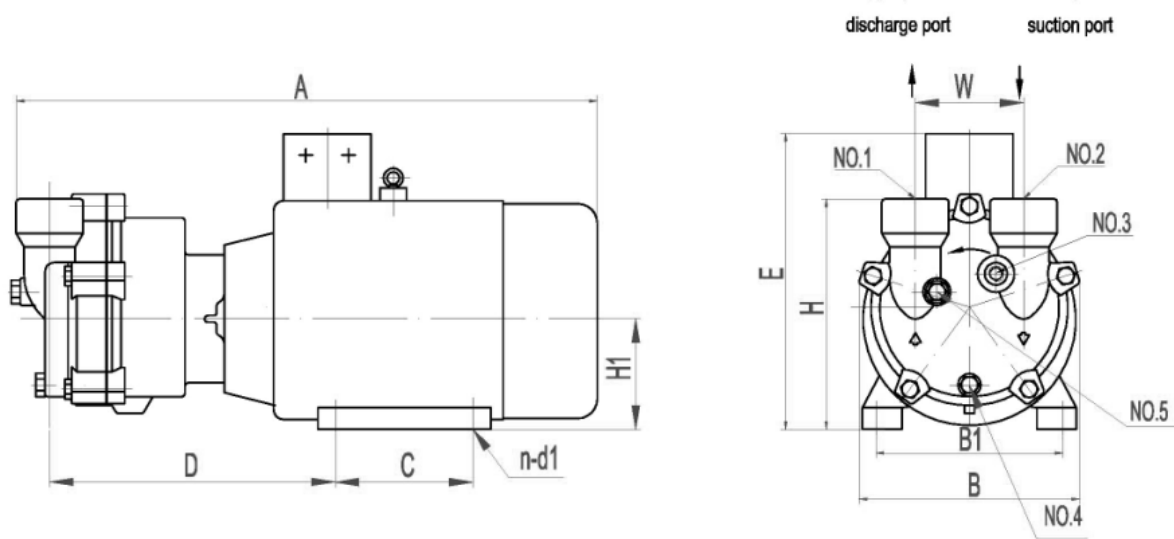


Note:

1. The curve is obtained under the following condition: suction medium: saturated air temperature 20 °C operating liquid temperature 15 °C discharge pressure 1013mbar
2. Performance tolerance 10%
3. Curves on the left side are obtained with air ejector

Dimensional drawings (unit: mm)

2BV2 series:

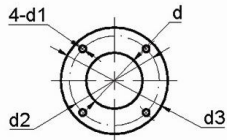
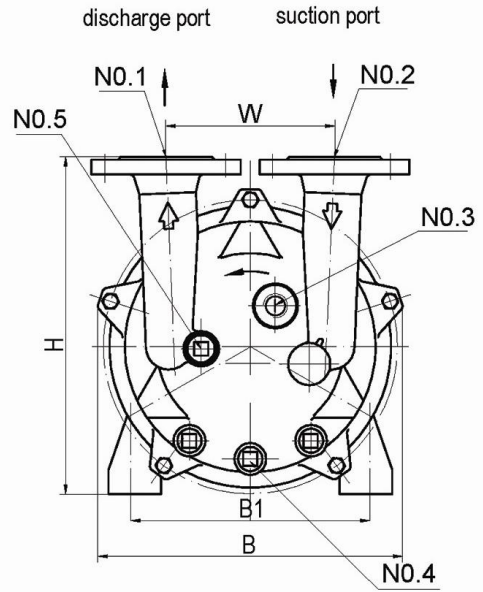
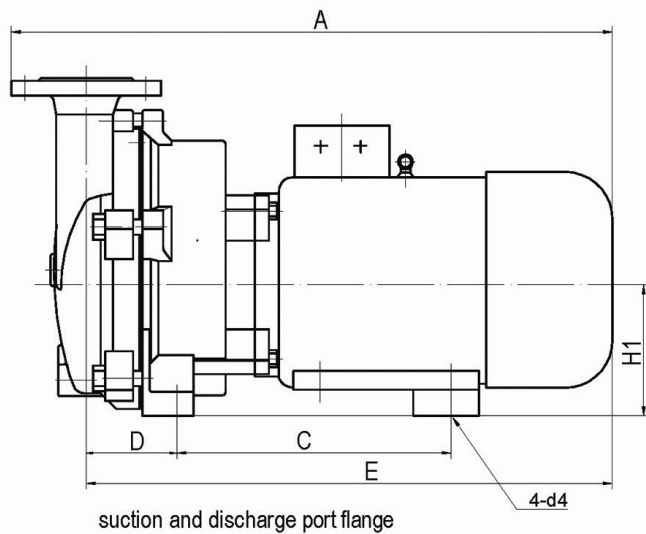


- NO.1. discharge port NO.2. Suction port NO.3. Water supply NO.4. water outlet
 NO.5. anti-cavitation protection port

SIZE	A	B	B1	C	D	E	H	H1	W
2BV2060	450	186	140	100	203	250	196	90	110
2BV2061	475	186	140	100	223	250	196	90	110
2BV2070	565	224	160	140	260	270	222	100	110
2BV2071	590	224	160	140	260	300	222	112	110

SIZE	n	d1	NO.1	NO.2	NO.3	NO.4	NO.5
2BV2060	4	10	G1"	G1"	G3/8"	G1/4"	G3/8"
2BV2061	4	10	G1"	G1"	G3/8"	G1/4"	G3/8"
2BV2070	4	12	G1 1/2"	G1 1/2"	G3/8"	G1/4"	G3/8"
2BV2071	4	12	G1 1/2"	G1 1/2"	G3/8"	G1/4"	G3/8"

2BV5 series dimension drawing

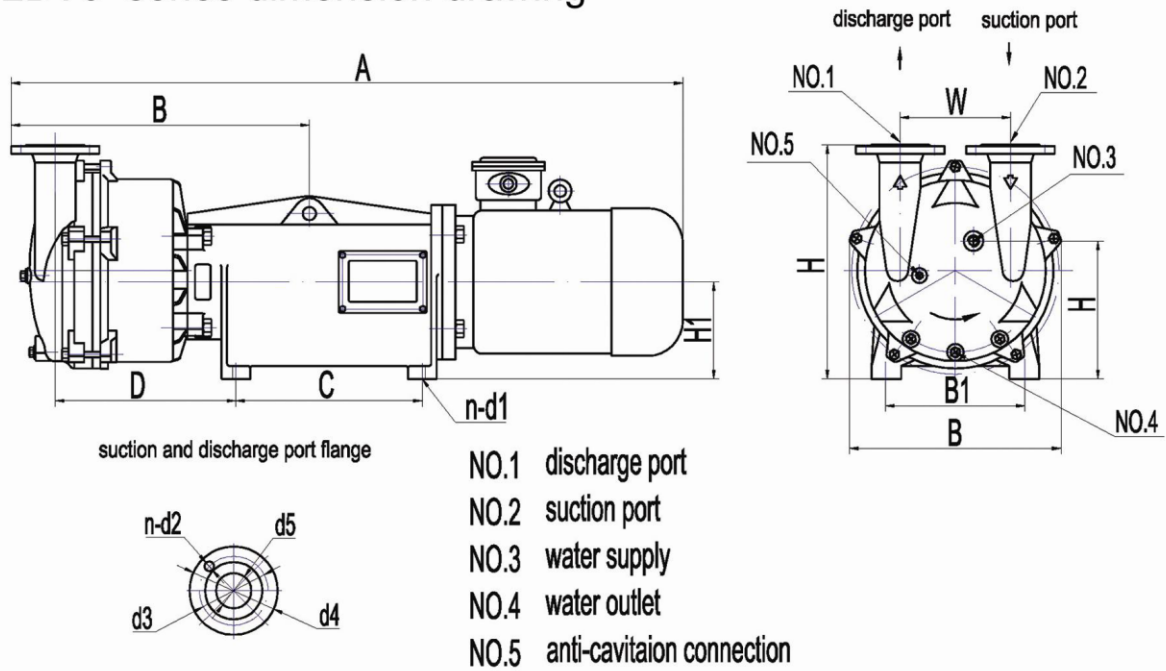


- NO.1. discharge port NO.2. Suction port NO.3. Water supply NO.4. Water outlet
 NO.5. anti-cavitation protection port

SIZE	A	B	B1	C	D	E	H	H1	W
2BV5110	647	325	255	340	97	567	360	140	180
2BV5111	669	325	265	340	106	589	371	150	180
2BV5121	772	347	265	420	96	681	385	150	200
2BV5131	850	377	300	475	103	759	427	175	200
2BV5161	106	479	370	570	137	960	521	210	250

SIZE	n	d1	d2	d3	d4	NO.3	NO.4	NO.5
2BV5110	50	19	123	160	13	G1/2"	G3/8"	G3/8"
2BV5111	50	19	123	160	14	G1/2"	G3/8"	G3/8"
2BV5121	65	19	145	182	14	G3/4"	G3/8"	G3/8"
2BV5131	65	19	145	182	14	G3/4"	G3/8"	G3/8"
2BV5161	80	22	156	200	14	G3/4"	G3/4"	G3/8"

2BV6 series dimension drawing



SIZE	A	B	B1	C	D	H	H1	W
2BV6110	1043	340	252	248	281	383	163	180
2BV6111	1216	340	290	325	332	406	185	180
2BV6121	1264	382	290	325	349	420	185	200
2BV6131	1455	390	316	417	351	531	220	200
2BV6161	1615	480	316	417	409	521	220	200

SIZE	d1	d2	d3	d4	d5	NO.3	NO.4	NO.5
2BV6110	13	19	123	160	50	G1/2"	G3/8"	G3/8"
2BV6111	14	19	123	160	50	G1/2"	G3/8"	G3/8"
2BV6121	14	19	145	182	65	G3/4"	G3/8"	G3/8"
2BV6131	14	19	145	182	65	G3/4"	G3/8"	G3/8"
2BV6161	14	22	156	200	80	G3/4"	G3/4"	G3/8"